



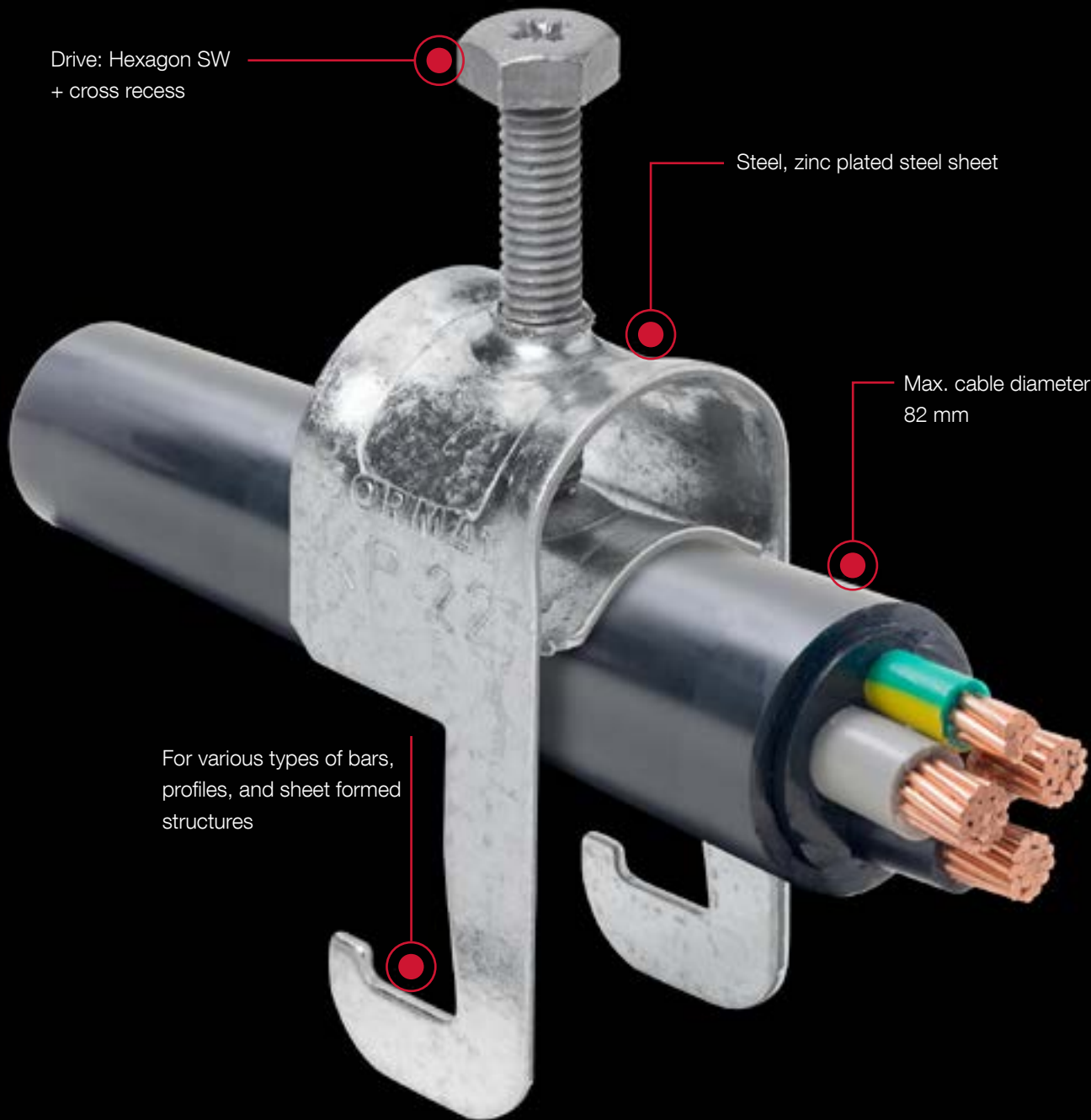
## Cable Clamp KP

For fastening, separating and organizing cables



# Cable Clamp KP

For fastening, separating and organizing cables



## Further products



KK



KL



KR



KL/2



KR/2



KR/3



KKKS

## Cable Clamp KP



### Applications

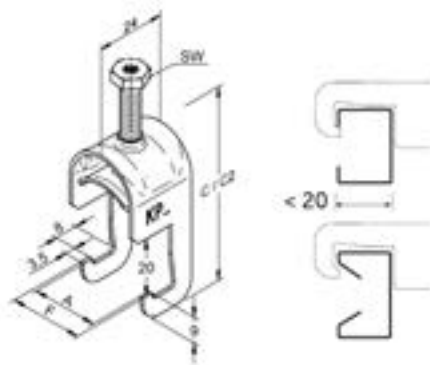
- > For clamping cables, tubes and other elongated elements quickly and neatly
- > Can be attached in various types of bars, profiles, and sheet formed structures
- > For cable supply in indoor buildings
- > For outdoor applications on telecommunication masts
- > Cable supply for machine areas

### Technical data



### Properties

- > Steel, zinc plated steel sheet
- > Fire resistance 90 min, see Test report no. PB 3.2/19-244-1



Order description	A	F <sub>max</sub>	C	SW	max. cable diameter [mm]	Box	Article number
KP 12	14	18	48	10	12	200	9640013212
KP 14	15	19	48	10	14	200	9640013214
KP 18	19	23	51	10	18	200	9640013218
KP 22	23	27	55	10	22	200	9640013222
KP 26	27	31	58	10	26	200	9640013226
KP 30	31	35	65	10	30	200	9640013230
KP 34	35	39	68	10	34	200	9640013234
KP 40	41	45	75	10	40	150	9640013240
KP 46	47	51	81	13	46	100	9640013246
KP 52	53	57	90	13	52	100	9640013252
KP 60	62	66	97	13	60	100	9640013260
KP 82	83	87	128	13	82	25	9640013289



**EJOT Baubefestigungen GmbH**

In der Stockwiese 35

57334 Bad Laasphe · Germany

T +49 2752 908-0

F +49 2752 908-731

[construction@ejot.com](mailto:construction@ejot.com)

[www.ejot.com](http://www.ejot.com)